

APPLICATION

MGM Model 189 Excess Flow Check Valves are designed for use where flanged connections are required. They are made completely of carbon and stainless steel.

Model 189 Excess Flow Check Valves are double flanged and are equipped with either 150# or 300# raised face, forged flanges. Standard gaskets should be used on each end.

Model 189 MGM Excess Flow Check Valves can be installed in any orientation with negligible effect on flow rate. Each valve will have the proper closing flow direction indicated by an arrow stamped into the body. As with all MGM excess flow check valves, the Model 189 is equipped with an orifice in the check mechanism to allow for pressure equalization and will reopen automatically after the repairs are made.

FEATURES

- Designed to fit between 150 or 300 pound American Standard steel pipe flanges. Ring groove flanges can be furnished if required.
- Low temp A350 LF2 forged carbon steel flanges.
- Generous flow channels provide minimal pressure drops.
- Heavy duty steel construction will withstand temperatures from -40° F (-40° C) to +300° F (+148° C) and internal pressures up to 2000 psig (138 barg).
- Complete stainless steel construction available for greater range of operating temperatures.

FLOW RATINGS

The table on the following page shows the range of flow rates available for common fluids. Each size valve has several different spring options that can be used to vary the closing flow rate. Please contact MGM for assistance in choosing the proper spring for your specific application.

STANDARD MATERIALS

The table below lists standard material configuration for carbon steel and 316 stainless steel valves.*

	Carbon Steel	316 Stainless
<i>Body</i>	<i>Low-temp Carbon</i>	<i>316-SS</i>
<i>Guide</i>	<i>Low-temp Carbon</i>	<i>316-SS</i>
<i>Spring</i>	--- 316- or 302-SS ---	
<i>Poppet (incl. nut and cotter pin)</i>	--- 316-SS ---	

*Alternative materials available at additional cost

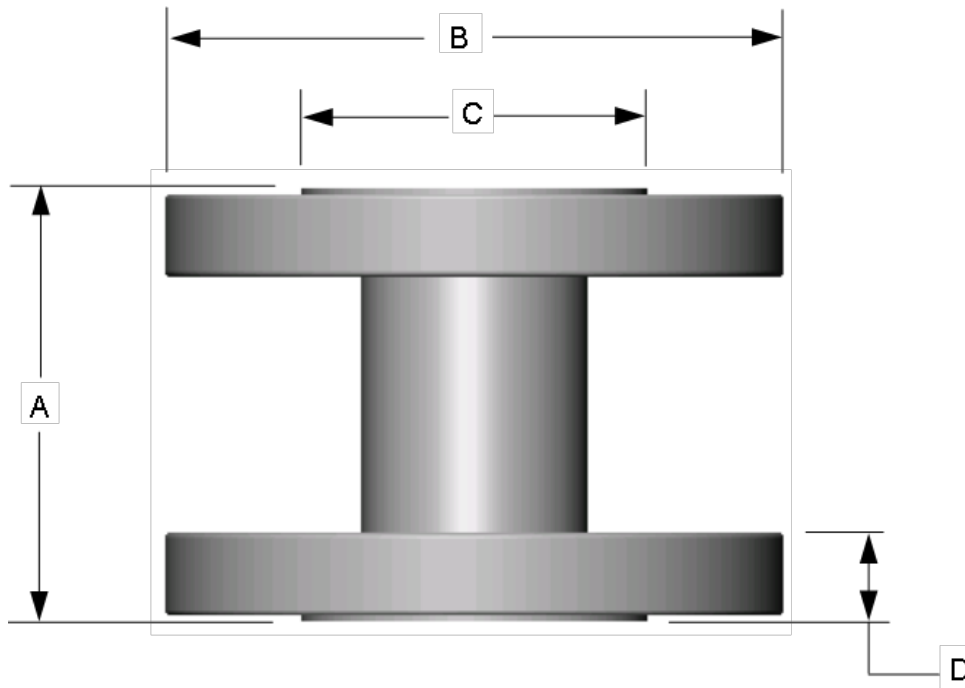
PRODUCT CERTIFICATIONS



Underwriters Laboratories, Inc.
Listed for propane, butane, and anhydrous ammonia



Canadian Registration Number
OC13500.5C



ORDERING INFORMATION

Model Number	Pipe Size	Available Closing Flow Ranges – Approximate Flow in GPM Liquid*		Dimensions (inches) (300 # shown)			
		Propane	Ammonia	A	B	C	D
189:H	1.5"	5.7 - 30	5.2 - 27.4	3.75	6.125	2.88	0.813
189:I	2.0"	14 - 89	12 - 81	4.50	6.50	3.63	0.88
189:J	2.5"	59	54	5.00	7.50	4.13	1.00
189:K	3.0"	21 - 173	19 - 157	5.25	8.25	5.00	1.13
189:L	3.5"	125	116	5.63	9.00	5.50	1.19
189:M	4.0"	68 - 391	61 - 355	6.00	10.00	6.19	1.25
189:N	5.0"	332	301	7.00	11.00	7.31	1.38
189:P	6.0"	212 - 974	192 - 884	8.63	12.50	8.50	1.44
189:Q	8.0"	311 - 1374	282 - 1248	10.00	15.00	10.63	1.63
189:R	10.0"	945 - 2345	858 - 2129	13.13	17.50	12.75	1.88
189:S	12.0"	1,889 - 2,504	1,717—2,276	13.13	20.5	15.00	2.00

*Contact MGM for flow rates of other fluids